

**Luggage Compartment Lid Not
Opening Correctly – Spring Actuators –
Install Revised Parts**

MODEL 2002-05 MY
X-TYPE

VIN C00001-E28008

Issue:

Some 2002-05 MY X-TYPE vehicles, within the above VIN range, may exhibit failure of the luggage compartment lid hinge spring actuators. Customers may experience difficulties in opening the luggage compartment (due to lack of pop-up assistance) or find broken parts of the actuators inside the luggage compartment.

Revised spring actuators have been released to remedy this concern.

Action:

In case of a verified customer complaint of the above condition on an X-TYPE vehicle within the above VIN range, install the latest level spring actuators. Follow the workshop procedure outlined below.

WORKSHOP PROCEDURE

1. Open luggage compartment lid and install fender protector covers.
2. Displace the plastic pushpin from the first spring actuator securing rivet, if installed (see Illustration 1).

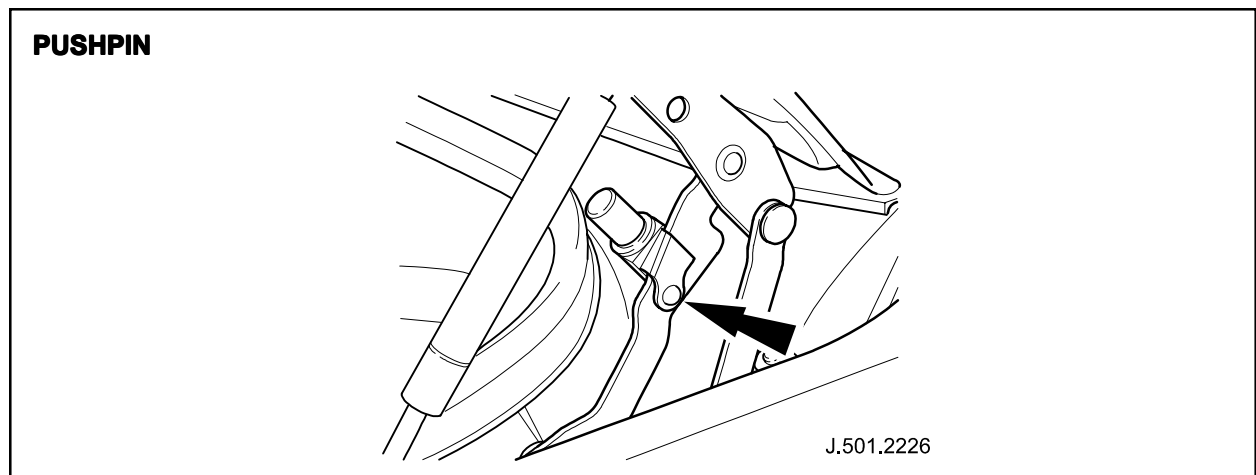


ILLUSTRATION 1

NOTE: THE INFORMATION IN TECHNICAL BULLETINS IS INTENDED FOR USE BY TRAINED, PROFESSIONAL TECHNICIANS WITH THE KNOWLEDGE, TOOLS, AND EQUIPMENT TO DO THE JOB PROPERLY AND SAFELY. IT INFORMS THESE TECHNICIANS OF CONDITIONS THAT MAY OCCUR ON SOME VEHICLES, OR PROVIDES INFORMATION THAT COULD ASSIST IN PROPER VEHICLE SERVICE. THE PROCEDURES SHOULD NOT BE PERFORMED BY "DO-IT-YOURSELFERS." DO NOT ASSUME THAT A CONDITION DESCRIBED AFFECTS YOUR CAR. CONTACT A JAGUAR RETAILER TO DETERMINE WHETHER THE BULLETIN APPLIES TO YOUR VEHICLE.

3. Remove and retain the securing plastic rivet from spring actuator, if installed.
4. Remove spring actuator from luggage compartment lid hinge.
5. Install and align new spring actuator to luggage compartment hinge.
7. If previously removed install original plastic rivet to spring actuator.
8. Insert pushpin into plastic rivet, if installed.
9. Repeat steps 2 to 8 on second spring actuator.
10. Remove fender protector covers and close luggage compartment lid.

Global Technical Reference (GTR) Workshop Manual Information:

Dealer access: <https://hub.franchise.jaguar.com>

Internet access: <http://www.jaguartechno.com>

Parts Information:

<u>DESCRIPTION</u>	<u>PART NUMBER</u>	<u>QTY</u>
Luggage compartment lid spring actuator - left hand	C2S 38556	1
Luggage compartment lid spring actuator - right hand	C2S 38555	1

Warranty Information:

Warranty claims should be submitted quoting the information found in the table below. This will result in payment of the stated time and, where applicable parts/miscellaneous expense codes as listed.

Description	SRO	Time	Causal Part Number
Luggage compartment lid hinge spring actuator renew – vehicle set	76.20.02	0.2 hrs.	C2S 38556